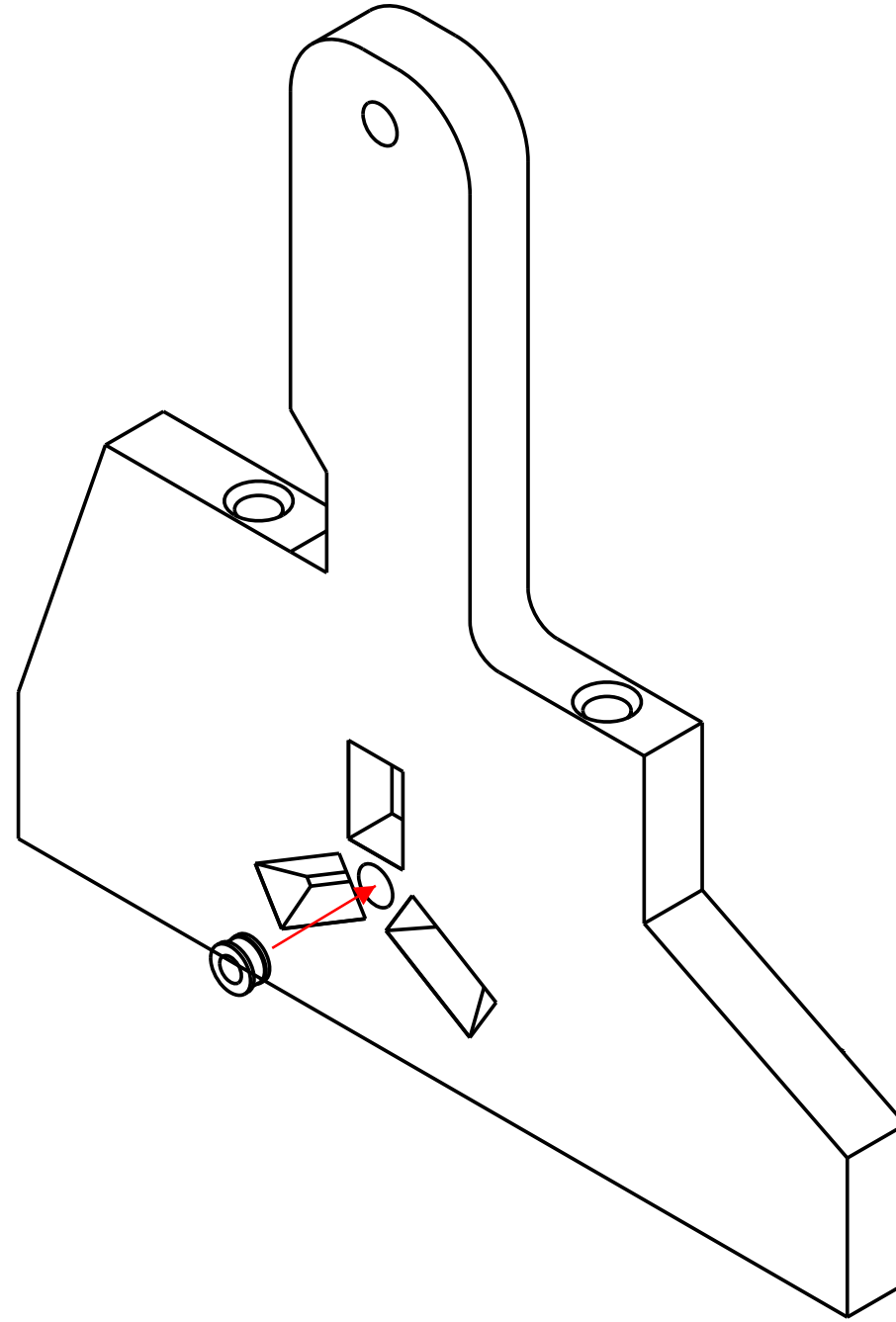
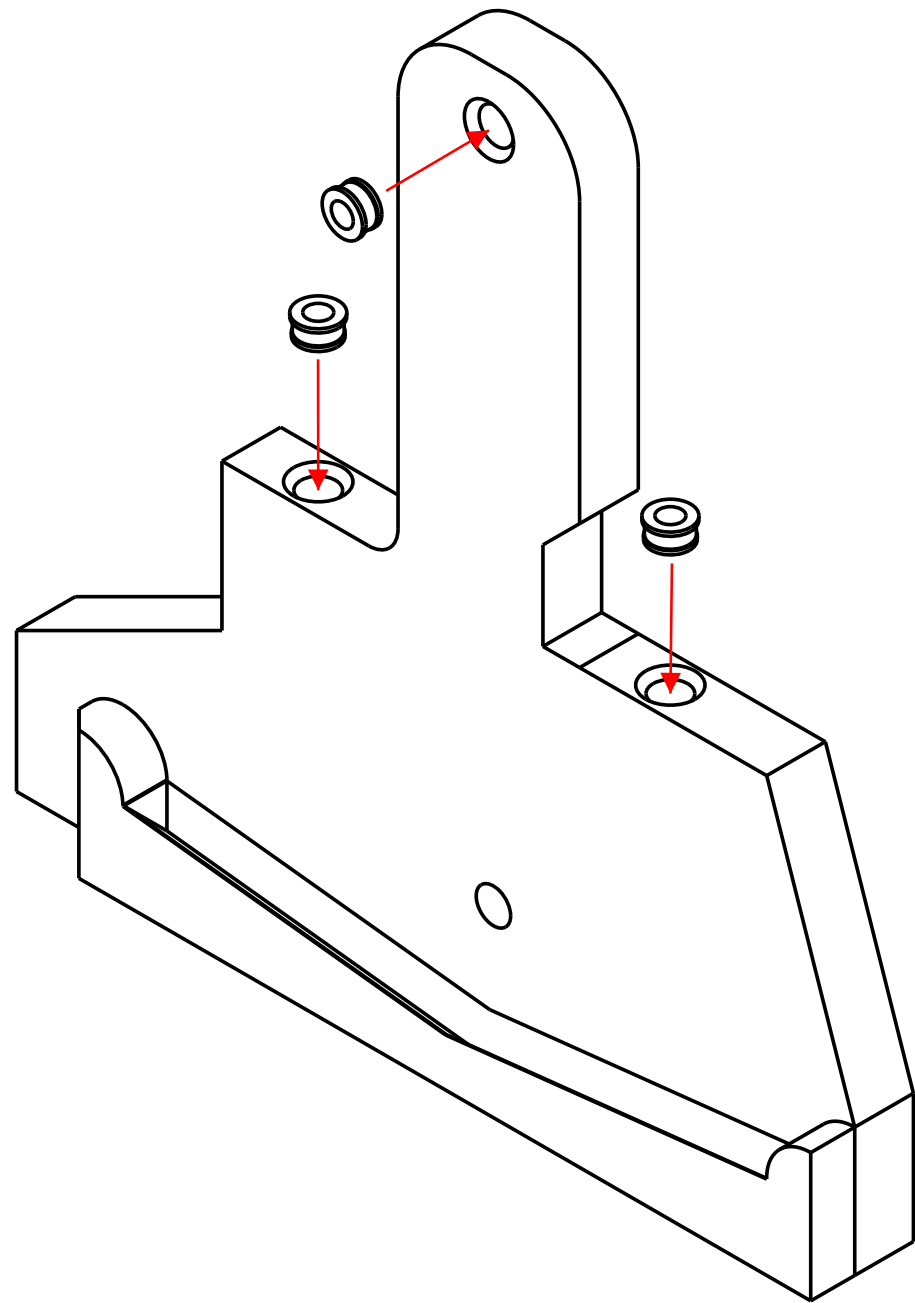


BoM  
 4x HD-MS0030  
 1x PP-GP0450



DRAWN BY: <b>West</b>	DATE: <b>5/6/19</b>
MATERIAL: <b>NA</b>	
UNLESS OTHERWISE SPECIFIED DIMENSIONS ARE IN MILLIMETERS. TOLERANCES ARE:	
DECIMALS	ANGLES
.X±.75	X°±1°
.XX±.25	
.XXX±.125	63
.XXXX±.050	
BREAK EDGES 0.1/0.5	
FILLET RADIUS 0.1/0.5	



**ALEPH  
 OBJECTS**  
 INCORPORATED

626 West 66th Street  
 Loveland, Colorado 80538, USA  
 Phone +1-970-377-1111  
 www.alephobjects.com

TITLE <b>V3 adaptor inserts</b>			
SIZE <b>A</b>	DWG NO. Drawing number	REV. IR	
SCALE <b>NA</b>	DO NOT SCALE DRAWING	SHEET <b>1 of 1</b>	