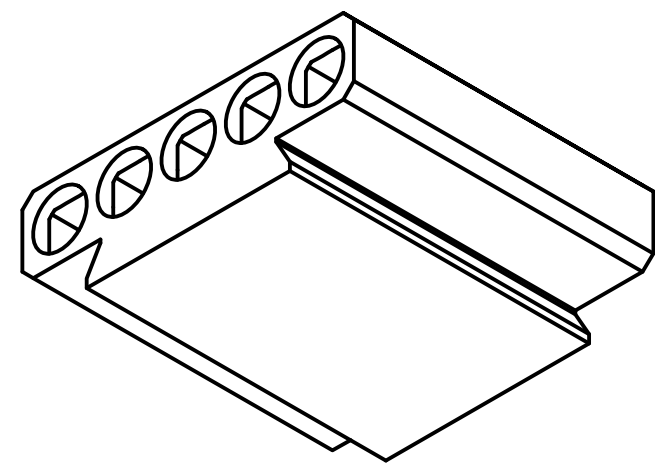


0.5mm chamfers on all edges to transition from round to square profile



		PROJECT Raptor Reloaded		
		TITLE Tensioner, 12-17-14 Release		
APPROVED	SIZE	CODE	DWG NO	REV
CHECKED				
DRAWN 12-6-14	SCALE	WEIGHT	SHEET	