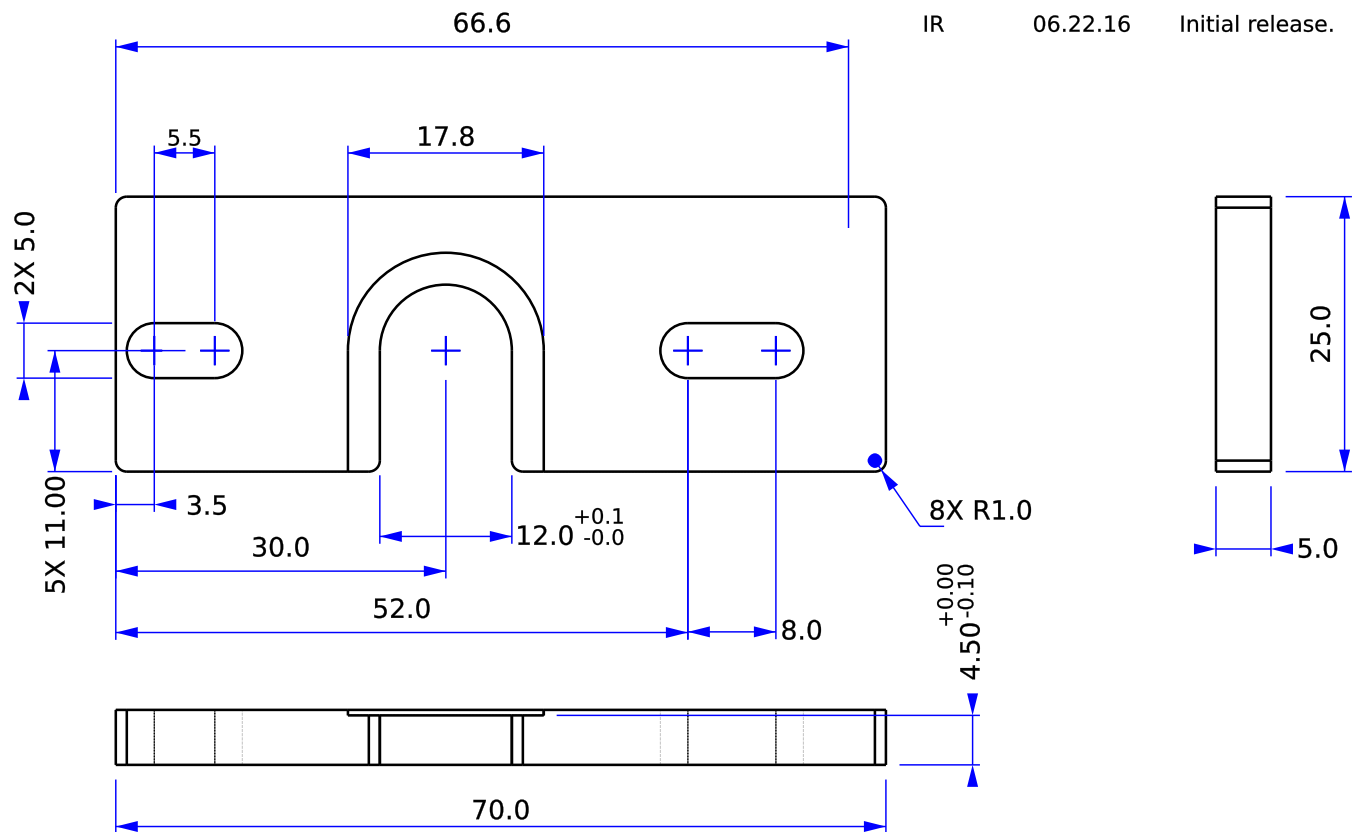
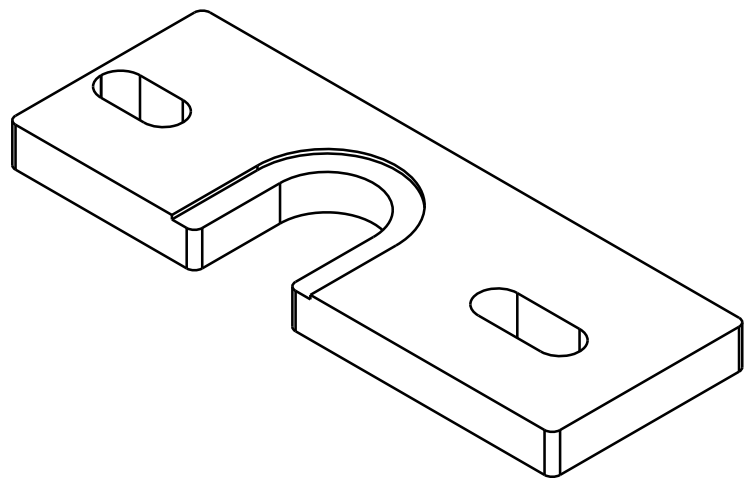


Rev	Date	Description
A	10.12.16	Name changed to match product (MOARstruder).
IR	06.22.16	Initial release.



- Notes:
1. Material: 6061-T6 Aluminum
 2. Parts must be RoHS compliant.
 3. Remove all burrs and shavings.



DRAWN BY:
bam

DATE:
6.22.16

MATERIAL:
See Notes

UNLESS OTHERWISE SPECIFIED
DIMENSIONS ARE IN MILLIMETERS.
TOLERANCES ARE:

DECIMALS	ANGLES
.X±.75	X°±1°
.XX±.25	
.XXX±.125	63
.XXXX±.050	

BREAK EDGES 0.1/0.5
FILLET RADIUS 0.1/0.5



**ALEPH
OBJECTS**
INCORPORATED

626 West 66th Street
Loveland, Colorado 80538, USA
Phone +1-970-377-1111
www.alephobjects.com

TITLE

MOARstruder-mount-plate

SIZE
A

DWG NO.

PP-MP0156_revA

REV.
A

SCALE

2:1

DO NOT SCALE DRAWING

SHEET

1 of 1