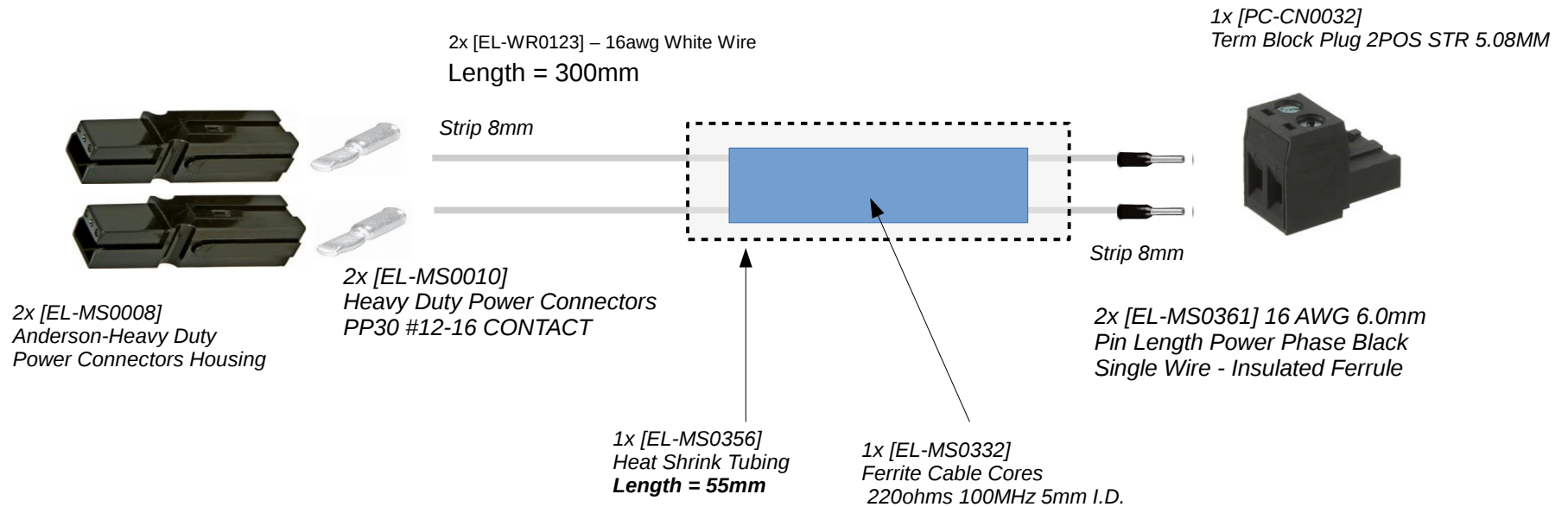





Notes: Unless otherwise specified  
 Cut length +- 3mm  
 Ferrule strip length +-0.5mm  
 Power connector strip length +-0.5mm



| Rev | Date    | Changes                          | Change by |
|-----|---------|----------------------------------|-----------|
| A   | 1/7/19  | Add ferrite and heat shrink tube | JW        |
| B   | 1/30/19 | Add strip tolerance              | JW        |

|                  |  |      |
|------------------|--|------|
| DRAWN BY<br>West |  | DATE |
| CHECKED BY       |  | DATE |
| EL-HR0148        |  |      |

TITLE  
**CB Bed Power Harness, Assembled**

|                                                 |            |           |
|-------------------------------------------------|------------|-----------|
| FILE NAME<br>EL-HR0148_CB_Bed_Power_Harness.odg | SHEET<br>1 | REV.<br>B |
|-------------------------------------------------|------------|-----------|

| <b>AO P/n</b> | <b>qty</b> | <b>unit</b> | <b>Supplier</b>               | <b>supplier P/n</b> |
|---------------|------------|-------------|-------------------------------|---------------------|
| EL-MS0008     | 2          | pce         | sager                         | 879-1327G6-BK       |
| EL-WR0123     | 600        | mm          | allcable                      | HU15691626WE        |
| EL-MS0010     | 2          | pce         | sager                         | 1332-BK             |
| EL-MS0361     | 2          | pce         | tti                           | FSD78-6-D           |
| PC-CN0032     | 1          | pce         | tti                           | 395300002           |
| EL-MS0332     | 1          | Pce         | sager                         | 28B0434-000         |
| EL-MS0356     | 55         | mm          | Electronics distributors corp | 84-60500            |