

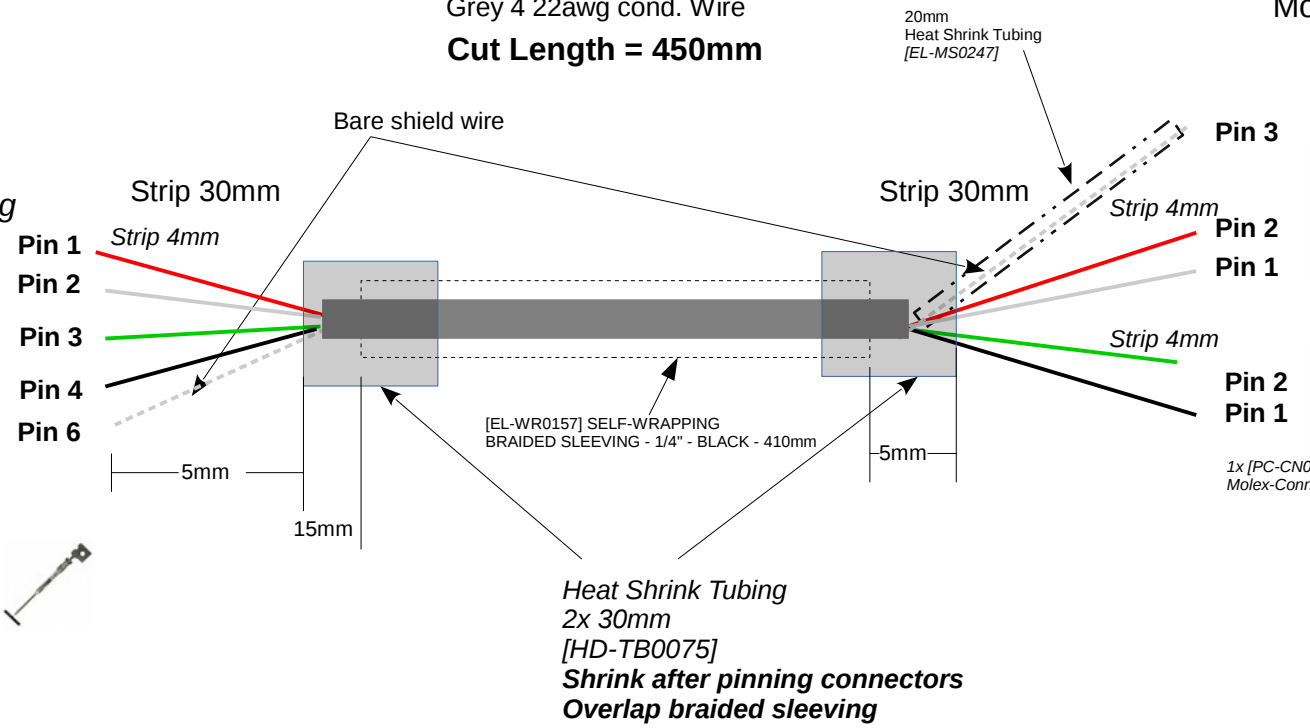
Note: Unless otherwise
 specified
 cut length +/- 3mm
 Molex strip length +/-0.5mm

[EL-WR0099]
 Grey 4 22awg cond. Wire
 Cut Length = 450mm

1x Male 6pin Housing
 [PC-CN0119]



5x [EL-MS0205]
 Male Molex Pin



1x [PC-CN0003]
 Molex-CONN Housing 3POS




5x Female Molex Pin
 [EL-MS0059]



1x [PC-CN0001]
 Molex-Conn Housing 2POS

Initial	comments	date	Rev
JW	Change distance of heatshrink tubing	7/10/19	A

DRAWN BY West		2/27/19		 	
CHECKED BY		DATE			
EL-HR0180				TITLE Y Bed Harness, Assembled	
FILE NAME EL-HR0180_y_bed_harness_revA.odg			SHEET 1		REV. A

AO part number	qty	UoM	Supplier	supplier pn
EL-WR0099	450	mm	Allcable	C0762A.41.10
EL-MS0247	20	mm	Electronics distributors corp	88-01870
PC-CN0003	1	pce	Digikey	WM2901-ND
EL-MS0059	5	pce	TTI global	16-02-0086
PC-CN0001	1	pce	Sager	50579402
PC-CN0119	1	pce	Digikey	WM2537-ND
EL-MS0205	5	pce	TTI global	16-02-0107
HD-TB0075	60	mm	McMaster	7856k76
EL-WR0157	430	mm	Wirecare	F6N0.25BK