

F

E

D

C

B

A

4

3

2

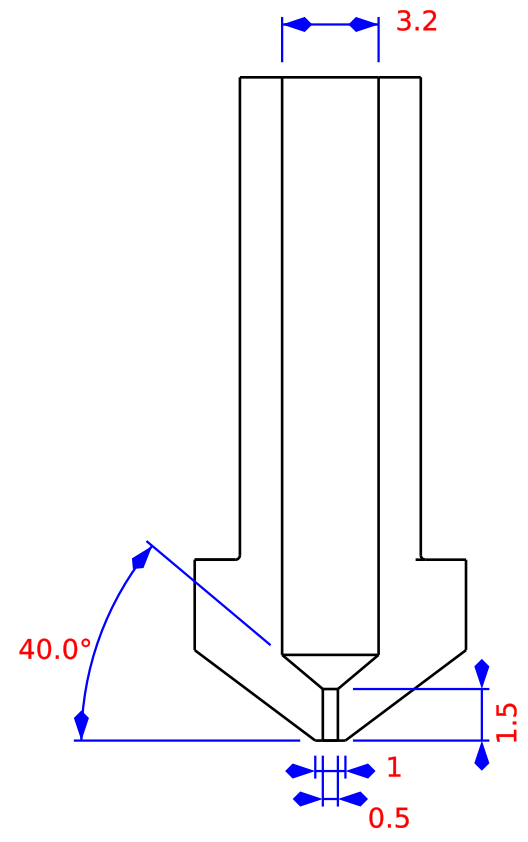
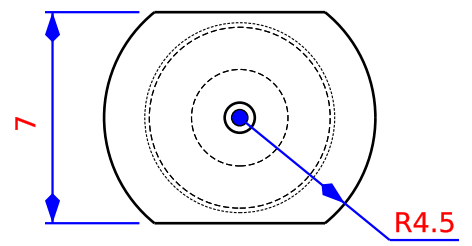
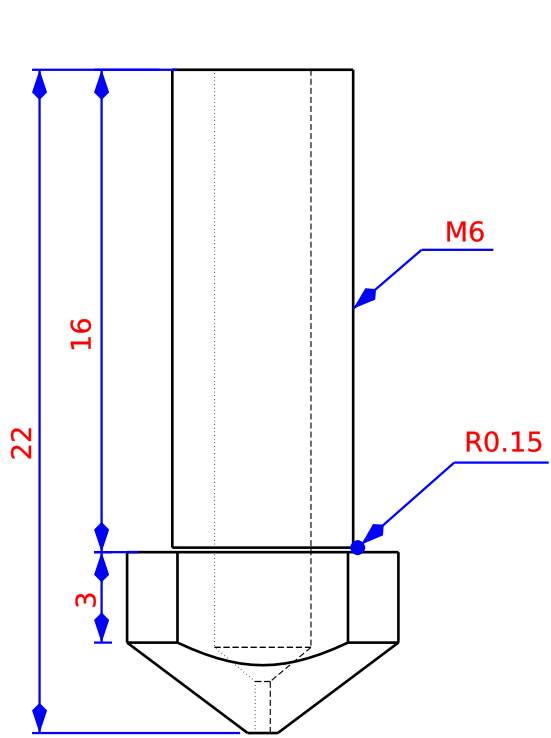
1

4

3

2

1



DESIGNED BY: Designed by Name		Title		G	-
DATE: Date		Subtitle		F	-
SIZE <b>A4</b>				E	-
				D	-
SCALE Scale	WEIGHT (kg) Weight	DRAWING NUMBER Drawing number	SHEET Sheet	C	-
				B	-
This drawing is our property; it can't be reproduced or communicated without our written consent.				A	-



F

E

D